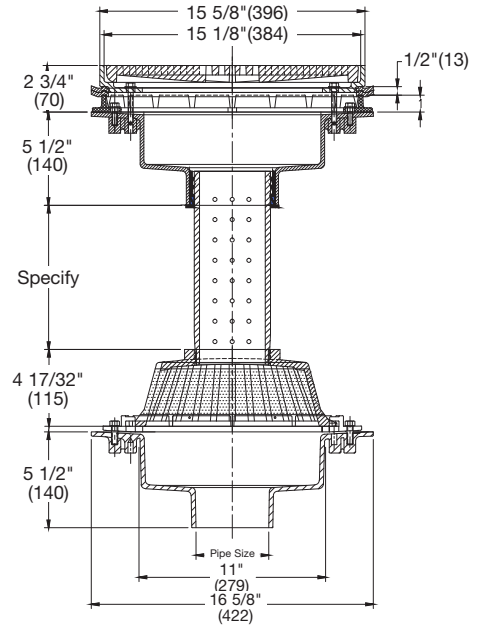


## Green Roof Drains

### GRD-620 Green Roof Plaza Area Drain

Model Number	Outlet Size	Grate	WT., lbs.	List Price
GRD-622, 3, 4, 5, 6, 8, 10	2,3,4,5,6,8,10"	nickel bronze	130	\$3,983.50

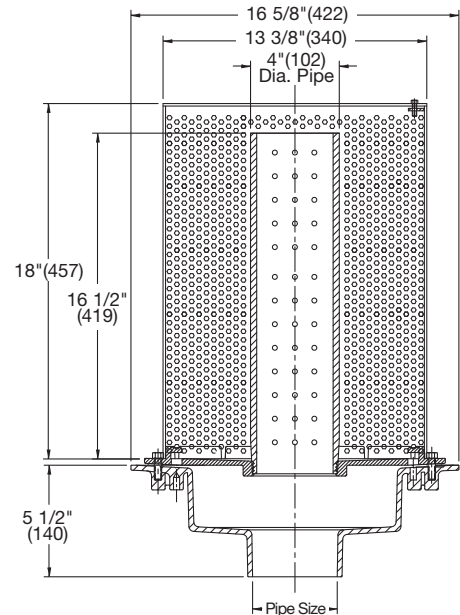


#### Options for GRD-620

Suffix	Description	List Price	Suffix	Description	List Price
-5	Sediment Bucket	\$256.00	-B	Sump Receiver	\$268.50
-6	Vandal Proof	147.00	-D	Underdeck Clamp	240.50
-13	Galvanized Body & Clamp	1,913.00	-F	Deck Flange/Adj. Extension	659.50

### GRD-630 Green Roof Intensive Area Drain

Model Number	Outlet Size	WT., lbs.	List Price
GRD-632, 3, 4, 5, 6, 8, 10	2,3,4,5,6,8,10"	34	\$2,906.50



#### Options for GRD-630

Suffix	Description	List Price
-13	Galvanized Body & Clamp	\$956.50
-B	Sump Receiver	268.50
-D	Underdeck Clamp	240.50
-F	Deck Flange/Adj. Extension	659.50